

OMNI CLEAN

USER MANUAL



READ BEFORE USE

- Prior to the initial use, fully charge battery. (~ 90 minutes)
- Keep out of reach of children.
- Open OMNI **CLEAN** only with “Open Button”.
Opening the unit with force may cause irrevocable damage.
- Before mounting on the hub, thoroughly remove excessive moisture from the mouthpiece and reeds.
- Carefully align sensor switches of the two units before connecting them.
- Do not move or shake OMNI **CLEAN** while it is in operation.
- There may be slight scent of silicon, which is safe and normal.
- Do not directly expose UV-C LED light to eyes or bare skin.
- Do not wash the Sterilization unit with water.
OMNI **CLEAN** is not waterproof.
- Universal Mounter and Filters are consumable parts.

- Model number: OC01KR1
- Size: 150 * 53 * 53 mm
- Weight: 137g (With Universal Mounter)
- Power source: 3.7V, 560mAh Lithium Polymer Battery

Silverstein Works Customer Service Center
Tel: +1 201 471 0700 (USA)
E-mail: customerservice@silversteinworks.com
Website: www.silversteinworks.com

Made in Korea



LEARN MORE



MANUAL



Warranty Register

FCC THIS DEVICE
COMPLIES WITH
PART 15
OF FCC RULES

KC BATTERY
KC
XU101021-
18013C



OMNICLEAN

WIND INSTRUMENT UV CLEANER



Powerful Sterilizing with
275 nm UV-C LED



Fast and Easy Mouthpiece Drying by
BLDC motor



Safe Operation with
Advanced Sensor Switch



Compatible with Mouthpieces for
Woodwind and Brasswind Instrument
(Max. Length; 112mm / 4.4 inches)

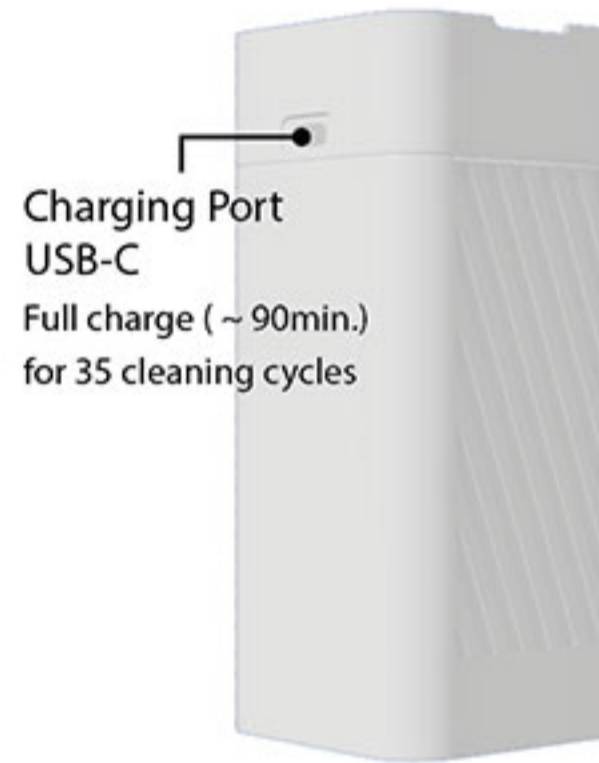
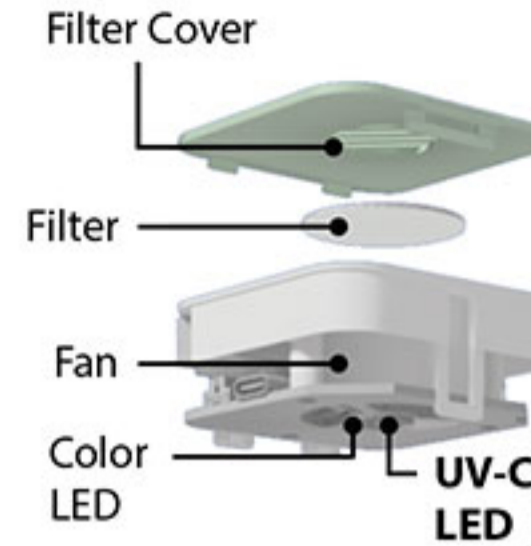


Universal Mounter for
Various Personal Items
(Make sure the item is small enough
to fit comfortably in the device.)

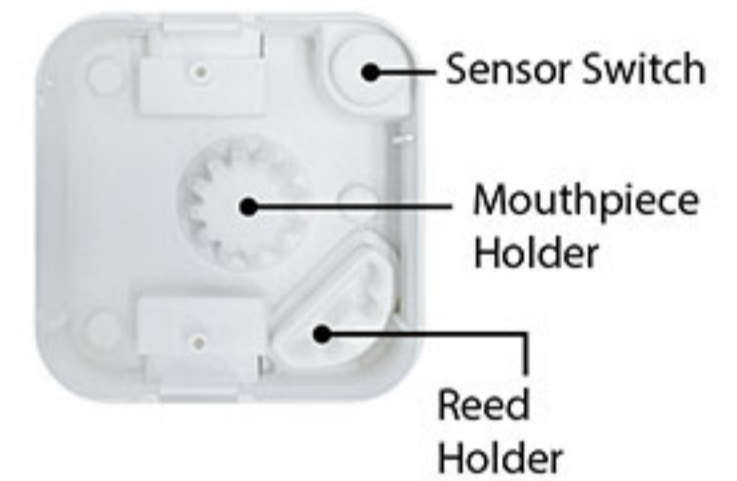
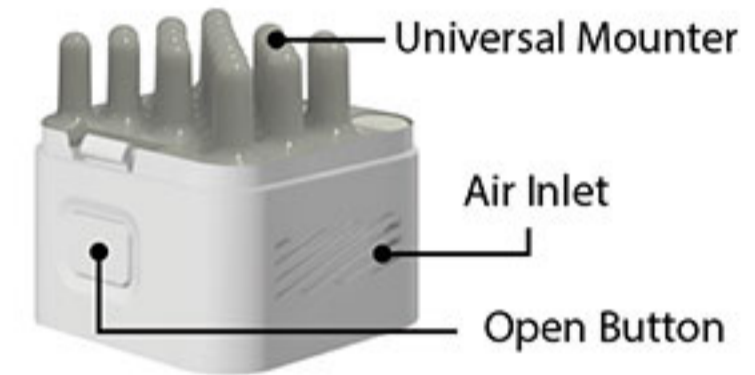


Convenient Charging with USB C port

STERILIZING UNIT



MOUNTING UNIT



60 Seconds
Sterilizing

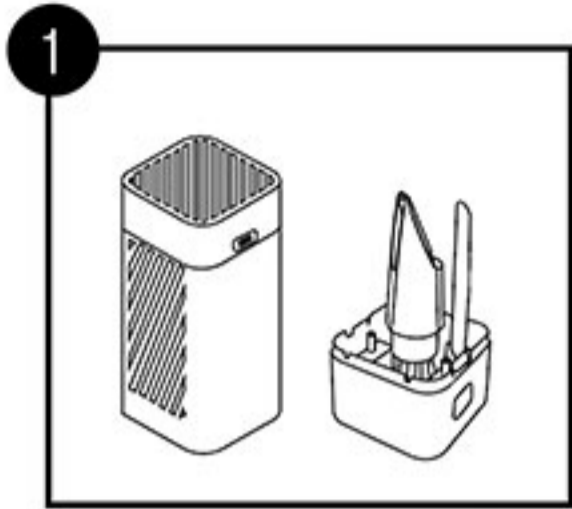


120 Seconds
Sterilizing &
Drying

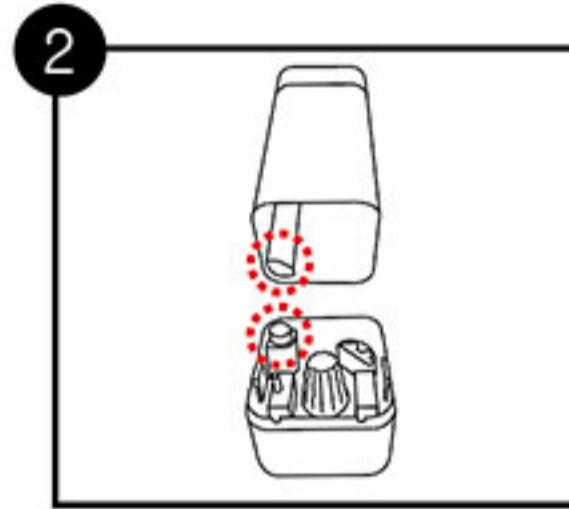


20 Seconds
Finalizing

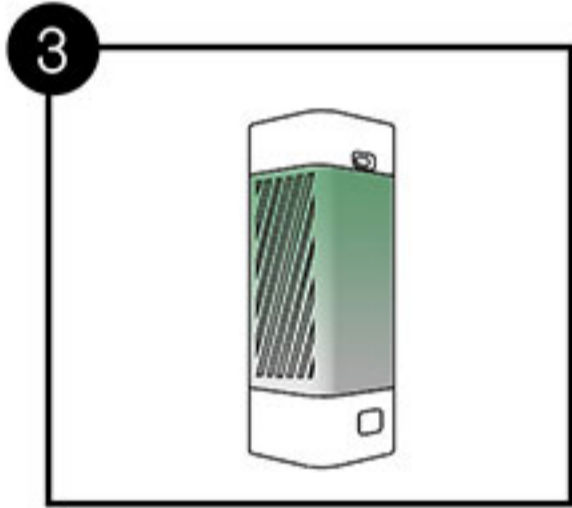
OPERATION



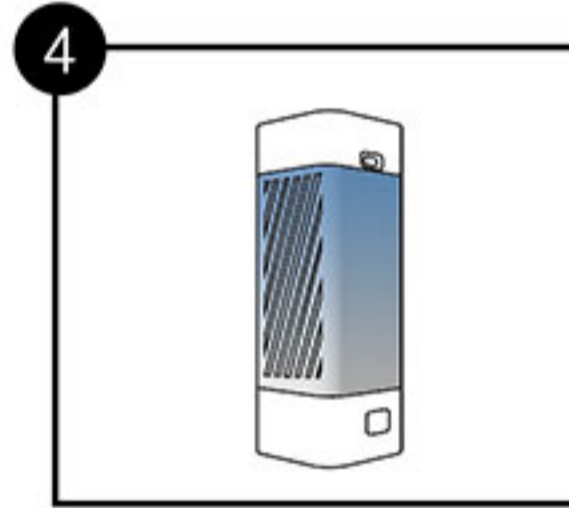
Detach Mounting unit and load mouthpiece and reed.



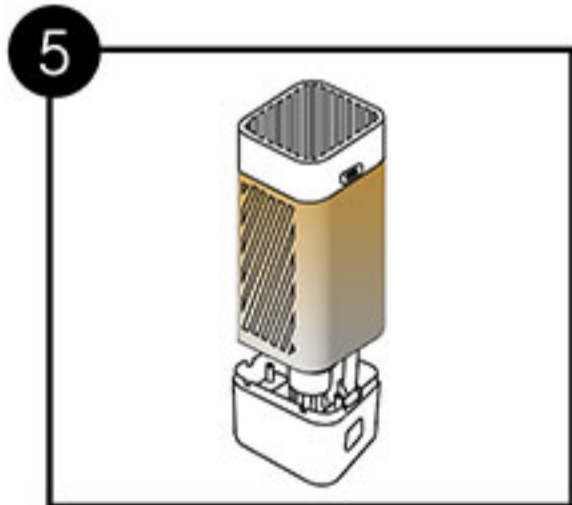
Align sensor switches of Mounting and Sterilizing unit. Then close.



The 1st process; 1 minute Sterilizing with Green LED lighting.



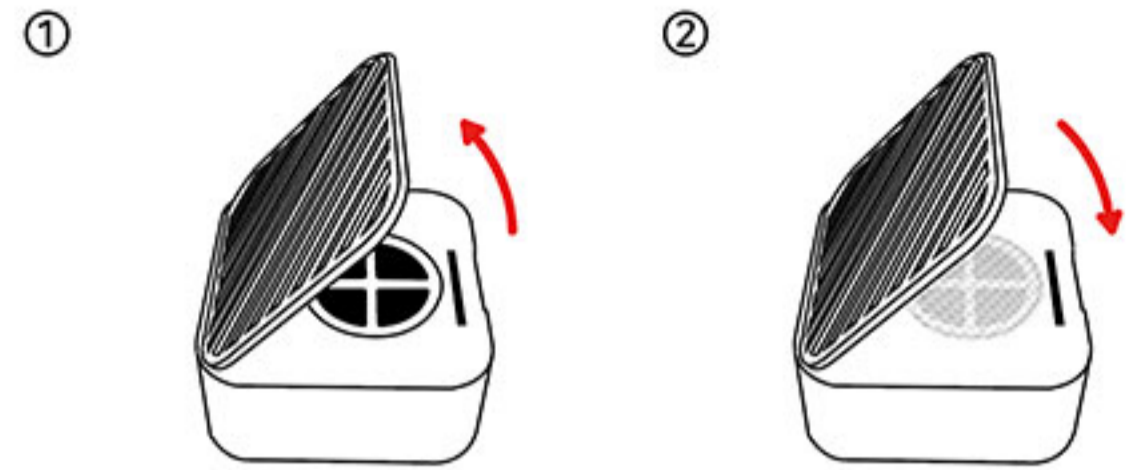
The 2nd process; 2 minutes Sterilizing and Drying with Blue LED lighting.



When the 3-minute cleaning process completes, the Orange LED blinks for 20 seconds. Open the device by pushing the button and remove the objects.

Another cycle can begin only after the 20 seconds blinking of Orange LED completed

FILTER CHANGE



Check the filter after 20 cleaning cycles. If there is contamination, serious color change or damage, change with a new filter.

If you run out of new filters, you may make one with similar material like a face mask.

UNIVERSAL MOUNTER



REEDS



CARD

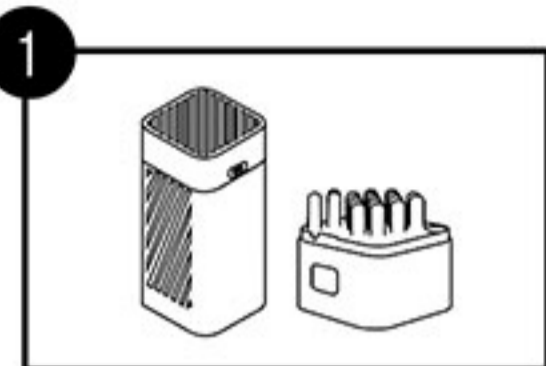


EARBUDS

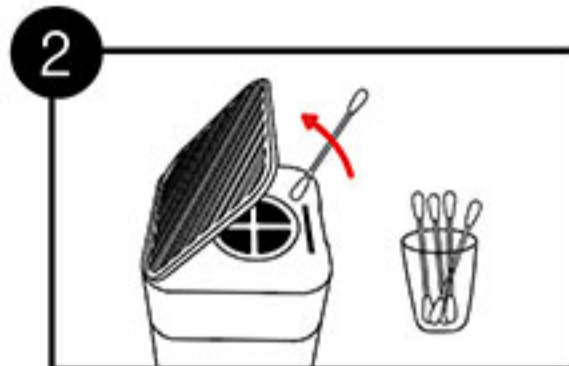


JEWELRY

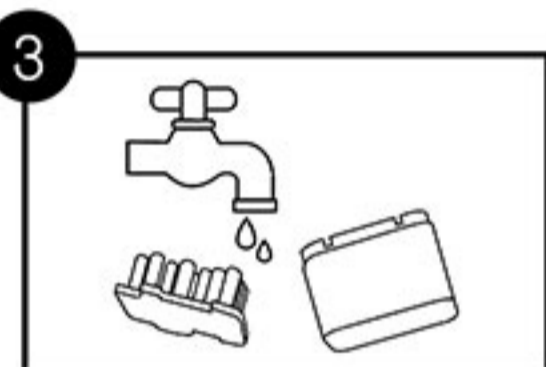
CLEANING



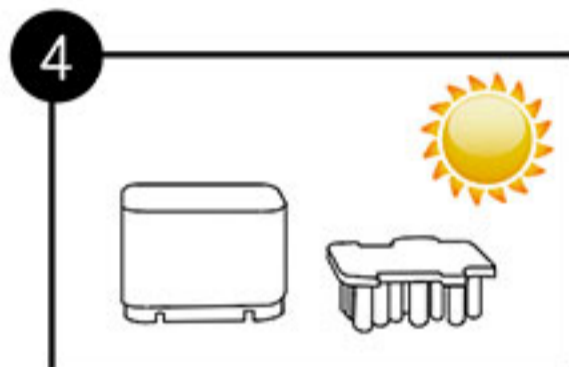
1 Detach Mounting unit and Sterilizing unit.



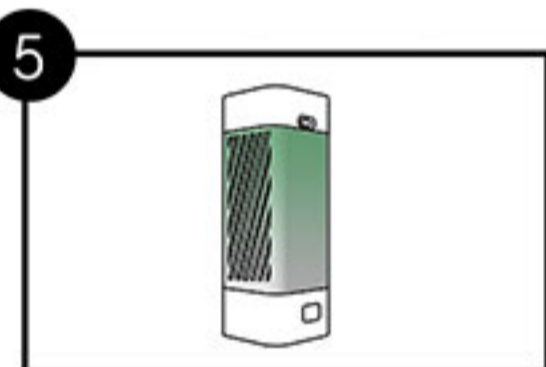
2 Open filter cover and clean if necessary.



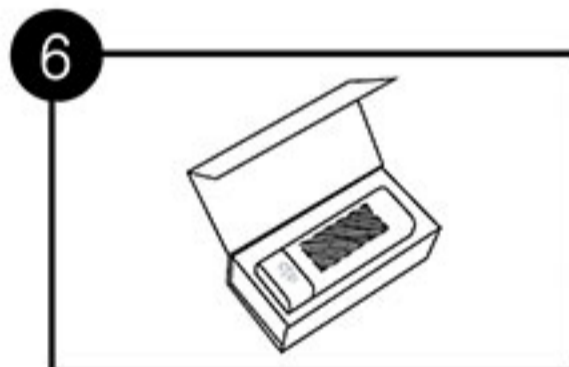
3 Wash Mounting unit and Universal Mounter with water. Do not wash the main unit.



4 Dry the parts thoroughly.



5 Assemble **OMNICLEAN** and run a complete cycle.



6 Keep in the original case for long-term storage.

WARRANTY REGISTRATION

You **MUST** register your **OMNICLEAN** within 30 days from the original purchase date at <https://www.silversteinworks.com/warranty-register/> or follow QR code below.

OMNICLEAN is fully warranted to the original owner against defects in materials and workmanship for 12 months for main body and 6 months for the battery.

The warranty excludes damage from misuse, abuse, wear and tear and other exclusions.

If a product ever fails due to a manufacturing defect, even after extended use, the product will be repaired without charge or replaced at our discretion.

This warranty does not cover damage caused by accident, improper care or negligence.

Damage not covered under warranty may be repaired for a reasonable rate.

The product must be sent for warranty service with all parts included.

Any missing parts will void the warranty or will be charged to the customer.

The customer will be responsible for all shipping charges for any warranty services.

Universal Mounter and Filters are consumable parts.

